

LED Sports Light

WARRANTY

1. 5-year warranty replacement warranty will be provided during the warranty period if the lamp suffers quality problems.
2. During the warranty period, the customer shall return the damaged goods or failed parts for inspection and repair by Goldenlux. Goldenlux will then send the fixed or new parts back.
3. A replacement warranty will be provided once valid documents are presented.

The following circumstances will not receive replacement warranty:

- ① Damage caused, including, but not limited to, damage from abnormal working conditions, improper usage, storage that does not conform to the instruction manual;
- ② Dismantling, modification or improper installation or repairing of the products without Goldenlux's authorization;
- ③ Damages caused by environmental circumstances including, but not limited to, fire, flood, lighting strike, earthquake.

WARNING

To avoid the risk of fire, explosion, or electric shock :

This product should be installed, inspected, and maintained by a qualified electrician only, in accordance with all applicable electrical codes. Verify that the power wire is installed correctly following the guidelines set forth by the applicable electrical codes.

To avoid electric shock:

- Be certain electrical power is OFF before and during installation and maintenance.
- Luminaires must be supplied by a wiring system suitable per local code with an equipment grounding conductor.

To avoid burning hands:

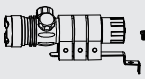

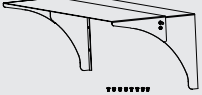
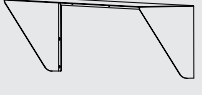
- Before to performing maintenance, ensure Luminaire is allowed to cool after power off for a period of 10 minutes.

To avoid product degradation:

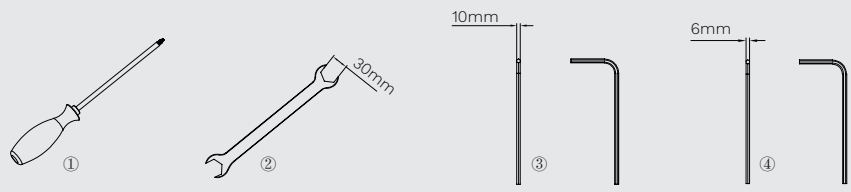
- Do not operate in ambient temperatures above those indicated on the luminaire data sheet.
- Use proper supply wiring as specified on the luminaire data sheet.
- Avoid use in environments containing sulfur, chlorine or other halides, methyl acetate or ethyl acetate, cyanoacrylates, glycol ethers, formaldehyde, or butadiene.
- Mount luminaire no less than 36 inches from the ceiling.
- Make sure the supply voltage is within the voltage range stated on the data sheet.
- Use only replacement parts from Goldenlux.
- Aircraft cable mounting is recommended for dry locations only.
- Use only Goldenlux or equivalent parts for mounting luminaire.

MOUNTING

ORDER OPTIONAL ACCESSORIES

<p>STEP 1</p> <p>Laser Sight 1 set, with hardware bracket 1Pcs, with PM4 * 6mm stainless steel screw 1Pcs.</p> 	<p>STEP 2</p> <p>Handle bracket 1 set, with CM6 * 25mm stainless steel screw 3Pcs.</p> 	<p>STEP 3</p> <p>Adjustable Angle Hood 1 set, with PM4 * 6mm stainless steel screw 8Pcs.</p> 	<p>STEP 4</p> <p>Non-adjustable angle Hood 1 set, with PM4 * 6mm stainless steel screw 8Pcs.</p> 
--	---	---	--

PREPARE TOOLS BEFORE INSTALLATION



① Cross screwdriver

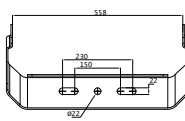
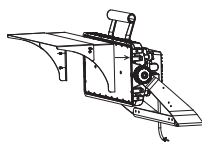
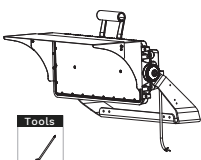

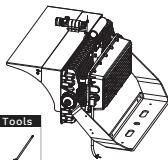

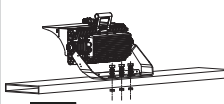

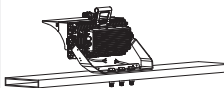
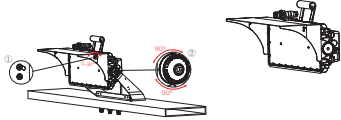

② Open Angle Wrench

③ Hexagon socket wrench

④ Hexagon socket wrench

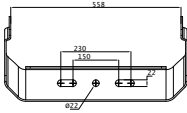
MOUNTING

INSTALLATION STEPS

<p>Hole dimension for mounting (Unit:mm)</p>  <p>500W/1000W/1500W bracket</p>	<p>STEP 1</p> <p>Remove the hood from the carton and align the mounting holes with the lamp openings.</p> 	<p>STEP 2</p> <p>Remove the screw PM4 * 6mm and lock the hood firmly on the luminaire.</p>  <p>Tools</p> 	<p>STEP 3</p> <p>Remove screw PM4 * 6mm and lock laser sight.</p>  <p>Tools</p> 
<p>STEP 4</p> <p>According to the dimensions provided on the bracket, open the corresponding hole position. After fixing the bracket with M20 screws.</p>  <p>Tools</p> 	<p>STEP 5</p> <p>When wiring, distinguish fire line/zero line and grounding line, and do a good waterproof treatment.</p> 	<p>STEP 6</p> <p>Loosen the M12 hex head screw with a wrench, adjust the lamp to a suitable angle (-90° ~ 90°), tighten the screw and fix the lamp.</p>  <p>Tools</p>  <p>① The hood can be adjusted to a suitable angle (0° ~ 30°) ② There is no bar 5° on the dial</p>	

INSTALLATION STEPS

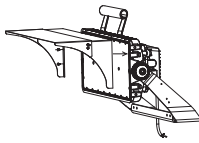
Hole dimension for mounting (Unit:mm)



500W/1000W/1500W bracket

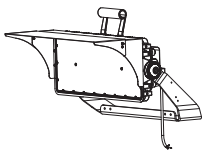
STEP 1

Remove the hood from the carton and align the mounting holes with the lamp openings.



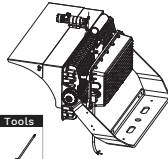
STEP 2

Remove the screw PM4 * 6mm and lock the hood firmly on the luminaire.




STEP 3

Remove screw PM4 * 6mm and lock laser sight.

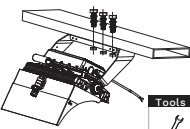


Tools




STEP 4

According to the dimensions provided on the bracket, open the corresponding hole position. After fixing the bracket with M20 screws.

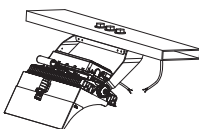


Tools



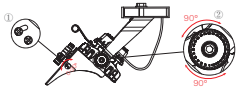
STEP 5

When wiring, distinguish fire line/zero line and grounding line, and do a good waterproof treatment.




STEP 6

Loosen the M12 hex head screw with a wrench, adjust the lamp to a suitable angle (-90° ~ 90°), tighten the screw and fix the lamp.



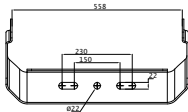
① The hood can be adjusted to a suitable angle (0° - 30°)
② There is no bar 5° on the dial

Tools



INSTALLATION STEPS

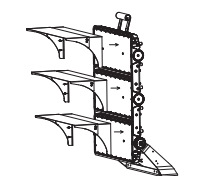
Hole dimension for mounting (Unit:mm)



500W/1000W/1500W bracket

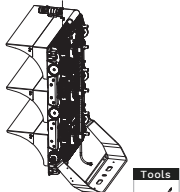
STEP 1

Remove the hood from the carton and align the mounting holes with the lamp openings.




STEP 2

Remove the screw PM4 * 6mm and lock the hood firmly on the luminaire. Remove screw PM 4 * 6mm and lock laser sight.

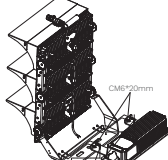


Tools




STEP 3

Remove the screw CM6 * 20mm (screw + flat pad + elastic pad), CM6 * 10 will be separated power box fixed on the bracket.



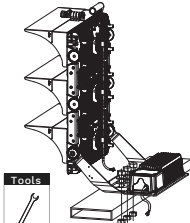
Tools




CM6*10mm

STEP 4

According to the dimensions provided on the bracket, open the corresponding hole position. After fixing the bracket with M20 screws.



Tools



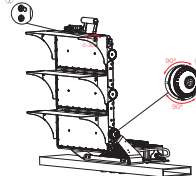
STEP 5

When wiring, distinguish fire line/zero line and grounding line, and do a good waterproof treatment.




STEP 6

Loosen the M12 hex screw with a wrench and adjust the lamp to the right angle (90° ~ 90° tighten the screw and fix the lamp.)



① The hood can be adjusted to a suitable angle (0° - 30°)
② There is no bar 5° on the dial

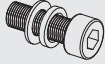
Tools



MULTI-MODULE ASSEMBLY PARTS (QUANTITY PER ORDER) :

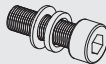
STEP 1

Combined Screw M8 * 20mm two-module combination: M8 * 20mm (4PCS) three-module combination: M8 * 20mm (8PCS)



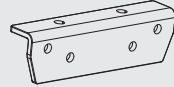
STEP 2

Combined Screw M8 * 25mm two-module combination: M8 * 25mm (8PCS) three-module combination: M8 * 20mm (16PCS)



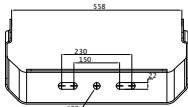
STEP 3

Connecting bracket: two-module configuration: connecting bracket (2PCS) three-module configuration: connecting bracket (4PCS)



INSTALLATION STEPS

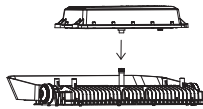
Hole dimension for mounting (Unit:mm)



500W/1000W/1500W bracket

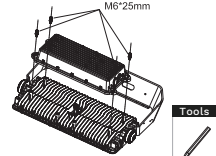
STEP 1

Unscrew the waterproof cover on the output terminal joint of the Power Box Module, insert the light source module into the plug opposite to the power box module joint, and tighten the anti-stripping nut.



STEP 2

The through hole on the power box module is aligned with the light source module to fix the screw hole, and the M 6 * 25mm combined screw is used to fix the locking warp.

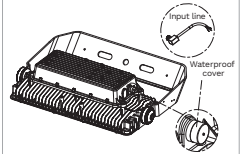


M6*25mm

Tools

STEP 3

Check whether missing parts are not installed, single module assembly is completed. Electrification: unscrew the waterproof cover of the connector on the power box module, insert the input wire connector to the each, input and release the nut, plug and play.

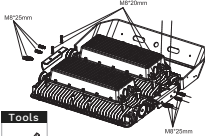


Input line

Waterproof cover

STEP 4

Align the connecting bracket to the hole of the luminaire, and use the M8 combination screw to lock it. The installation method of the three modules is the same

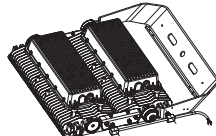


M8*20mm

Tools

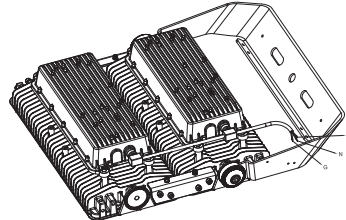
STEP 5

The first power box on the water proof cover screwed, and then 3-core input on the main line of the butt joint at the power box 3-core connector, insert tighten anti-nut.



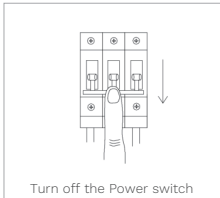
STEP 6

Check whether missing parts are not installed, multi-module assembly completed, power test lighting.

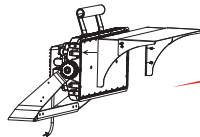


REFER TO THE WIRING DIAGRAM TO MAKE ELECTRICAL CONNECTIONS

500W/1000W/1500W bracket

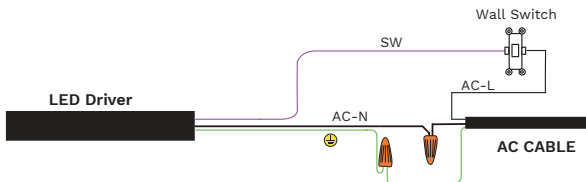


⚡ ⚠ Connecting the cable requires an IP65 Tightness level



CE AC-L(Brown) AC-N(Yellow/ Green) AC-N(Blue)

UL AC-L(Black) AC-N(Green) AC-N(White)



DIM (DIM+) (DIM-) (DIM+)Purple (DIM-)Pink

DIM (DIM+) (DIM-) (DIM+)Brown (DIM-)Blue